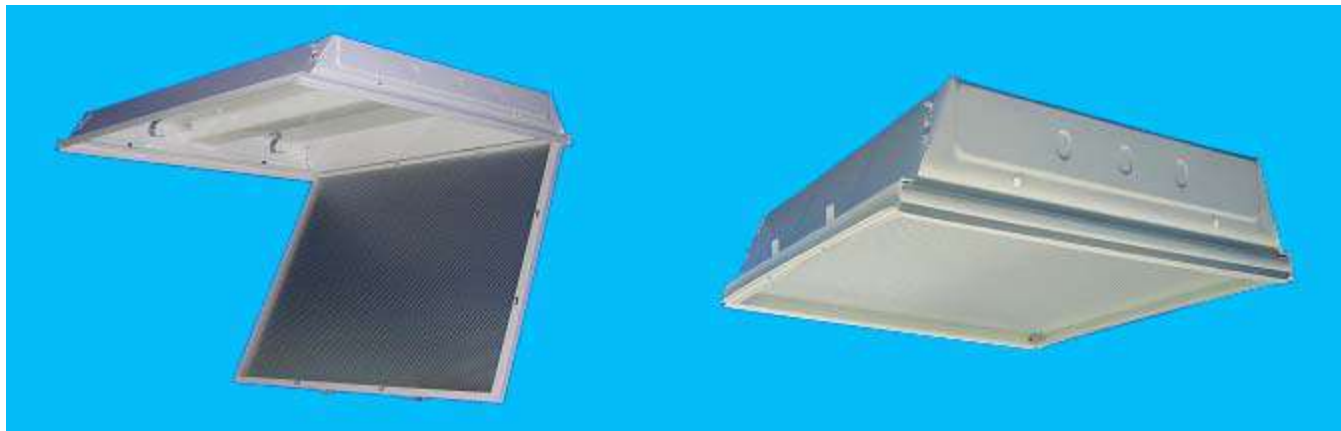


LAY-IN TYPE RECESSED TROFFER

IPD-SERIES 2 FT. X 2 FT.



APPLICATION: The IPD series Lay in Troffers are especially designed for maximum flexibility permitting quick and easy installation on all types of inverted "T" grid ceiling systems. Affords a comfortable environment for recessed general lighting applications such as offices, schools, hospitals merchandising areas, etc.

CONSTRUCTION: Made from heavy-duty iron phosphate treated CRS (Cold Rolled Steel) and finished with a high-reflectivity electromagnetic-applied powder coat for a minimum reflectance of 90%, thereby, yielding high lumen efficiency. Die formed for extra strength and rigidity.

FEATURES: Maintenance and relamping are simple and easy while diffuser frame hangs from hinges or is completely removed. Top access plate and several knockouts make electrical wiring an easy task. Fixtures can be mounted in continuous rows. All units are U.L. approved.

ELECTRICAL WIRING: Supplied with a high frequency class "A" sound rating class "P" thermally protected, High Power Factor electronic ballast with total harmonic distortion of less than 10%. This multi-volt ballast will operate T8 lamps

from 50/60 Hz input source of 120V through 277V. U.L. approved, CBM certified, meets CSA Standards. Complies with U.S.A. National Energy efficiency standards. Optional: Dimming Ballast and Backup Power Pack available on special order.

SHIELDING: Acrylic prismatic lens permits uniform high light diffusion and an attractive cosmetic appearance.

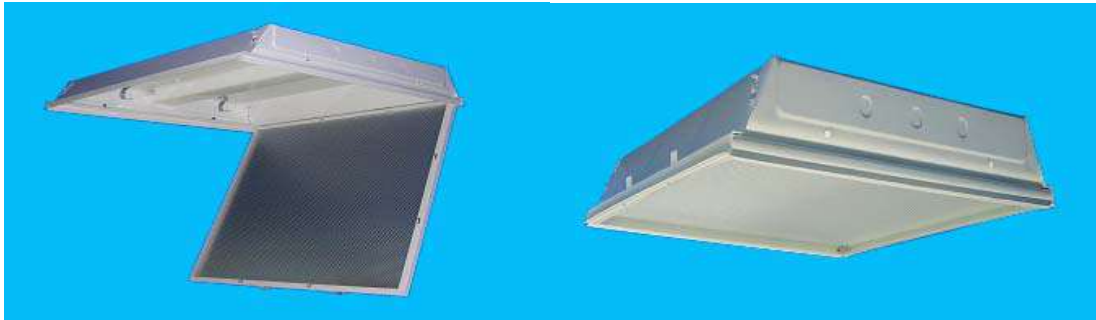
ORDERING INFORMATION:

<u>LAMPS</u>	<u>LAMP TYPE</u>	<u>PART NUMBER</u>
2 EA.	17W-T8	IPD-217/MV
3 EA.	17W-T8	IPD-317/MV
4 EA.	17W-T8	IPD-417/MV
2 EA.	32W-T8-U	IPD-232-U/MV

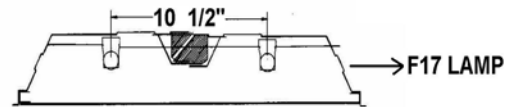
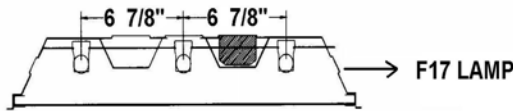
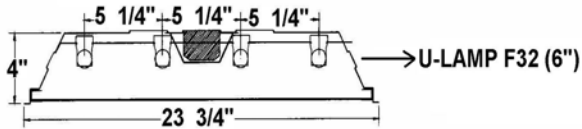
OPTIONAL WITH ALUMINUM MIRROR FINISH REFLECTOR

<u>LAMPS</u>	<u>LAMP TYPE</u>	<u>PART NUMBER</u>
2 EA.	17W-T8	IPD-217/MV-AMF
4 EA.	17W-T8	IPD-417/MV-AMF
2 EA.	32W-T8-U	IPD-232-U/MV-AMF

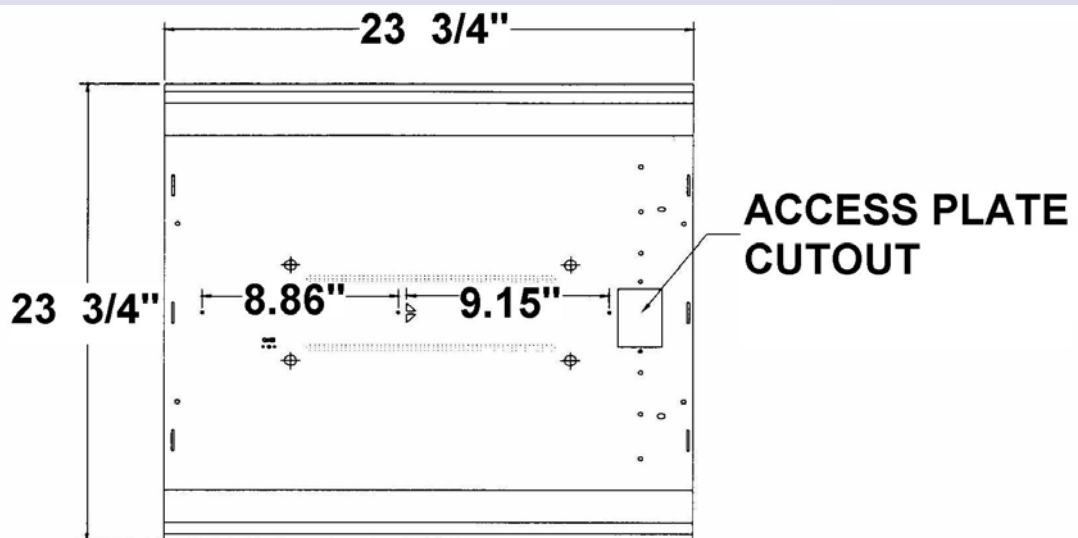
**LAY-IN TYPE RECESSED TROUFFER
 IPD-SERIES
 2 FT. X 2 FT.**



CROSS-SECTION



BACKPLAN





LAY-IN TYPE RECESSED TROFFER

IPD-SERIES 2 FT. X 4 FT.



APPLICATION: The IPD series Lay in Troffers are especially designed for maximum flexibility permitting quick and easy installation on all types of inverted “T” grid ceiling systems. Affords a comfortable environment for recessed general lighting applications such as offices, schools, hospitals merchandising areas, etc.

CONSTRUCTION: Made from heavy-duty iron phosphate treated CRS (Cold Rolled Steel) and finished with a high-reflectivity electromagnetic-applied powder coat for a minimum reflectance of 90%, thereby, yielding high lumen efficiency. Die formed for extra strength and rigidity.

FEATURES: Maintenance and relamping are simple and easy while diffuser frame hangs from hinges or is completely removed. Top access plate and several knockouts make electrical wiring an easy task. Fixtures can be mounted in continuous rows. All units are U.L. approved.

ELECTRICAL WIRING: Supplied with a high frequency class “A” sound rating class “P” thermally protected, High Power Factor electronic ballast with total harmonic distortion of less than 10%. This multi-volt ballast will operate T8 lamps from 50/60 Hz input source of 120V through 277V. U.L. approved, CBM

certified, meets CSA Standards. Complies with U.S.A. National Energy efficiency standards. Optional: Dimming Ballast and Backup Power Pack available on special order.

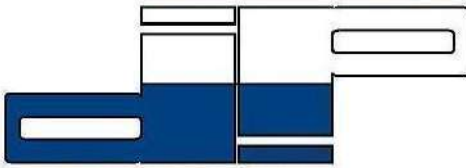
SHIELDING: Acrylic prismatic lens permits high light diffusion and an attractive cosmetic appearance.

ORDERING INFORMATION:

<u>LAMPS</u>	<u>LAMP TYPE</u>	<u>PART NUMBER</u>
2 EA.	32W-T8	IPD-232/MV
3 EA.	32W-T8	IPD-332/MV
4 EA.	32W-T8	IPD-432/MV

OPTIONAL WITH ALUMINUM MIRROR FINISH REFLECTOR

<u>LAMPS</u>	<u>LAMP TYPE</u>	<u>PART NUMBER</u>
2 EA.	32W-T8	IPD-232/MV-AMF
4 EA.	32W-T8	IPD-432/MV-AMF

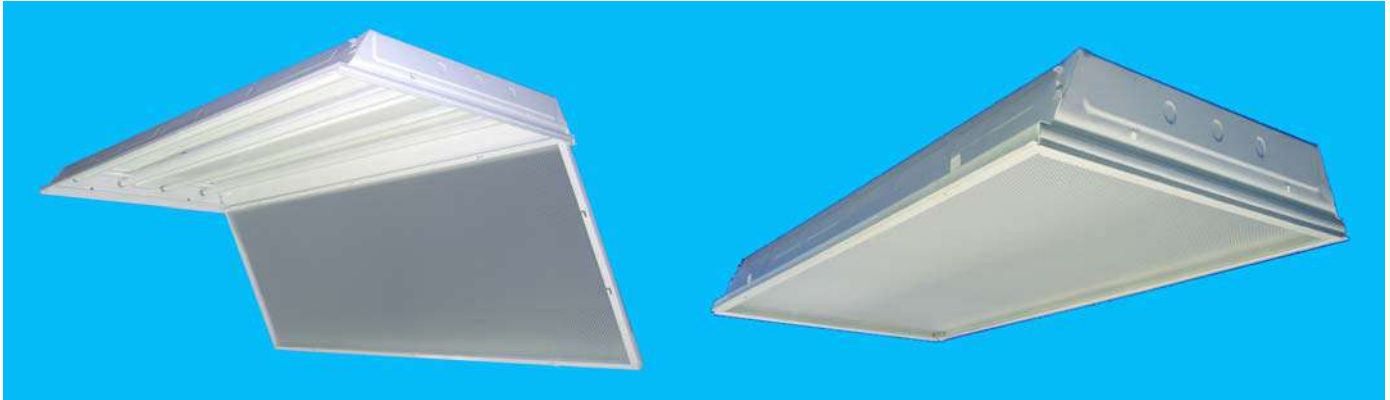


Manufacturers of Fluorescent Lighting Fixtures

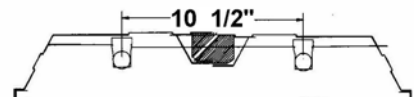
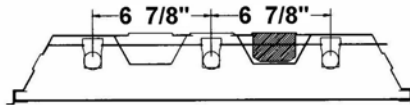
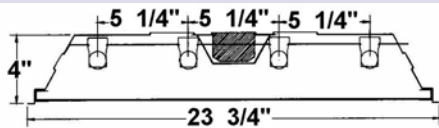
LAY-IN TYPE RECESSED TROUFFER

IPD-SERIES

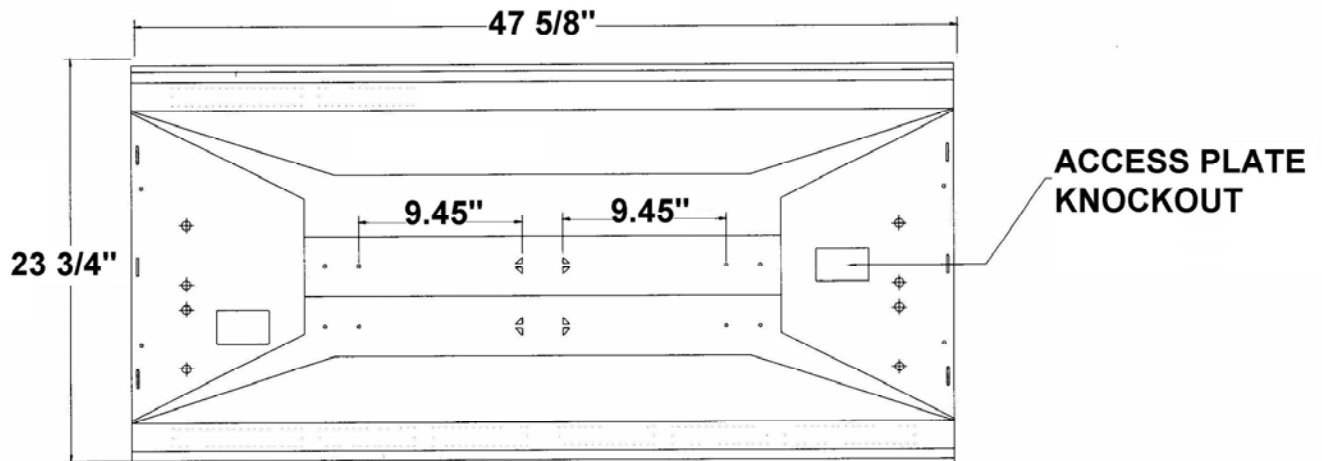
2 FT. X 4 FT.



CROSS-SECTION



BACKPLAN



LAY-IN TYPE RECESSED TROFFER

IPD-SERIES 1 FT. X 4 FT.



APPLICATION: The IPD series Lay in Troffers are especially designed for maximum flexibility permitting quick and easy installation on all types of inverted “T” grid ceiling systems. Affords a comfortable environment for recessed general lighting applications such as offices, schools, hospitals, and merchandising areas. Very popular in fast-food chain store decor.

CONSTRUCTION: Made from heavy-duty iron phosphate treated CRS (Cold Rolled Steel) and finished with a high-reflectivity electromagnetic-applied powder coat for a minimum reflectance of 90%, thereby, yielding high lumen efficiency. Die formed for extra strength and rigidity.

FEATURES: Maintenance and relamping are simple and easy while diffuser frame hangs from hinges or is completely removed. . Top access plate and several knockouts make electrical wiring an easy task. Fixtures can be mounted in continuous rows. All units are U.L. approved.

ELECTRICAL WIRING: Supplied with a high frequency class “A” sound rating class “P”

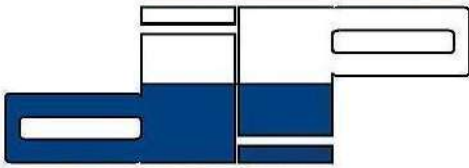
thermally protected, High Power Factor electronic ballast with total harmonic distortion of less than 10%. This multi-volt ballast will operate T8 lamps from 50/60 Hz input source of 120V through 277V. U.L. approved, CBM certified, meets CSA Standards. Complies with U.S.A. National Energy efficiency standards. Optional: Dimming Ballast and Backup Power Pack available on special order.

SHIELDING: Acrylic prismatic lens permits high light diffusion and an attractive cosmetic appearance.

ORDERING INFORMATION:

<u>LAMPS</u>	<u>LAMP TYPE</u>	<u>PART NUMBER</u>
2 EA.	32W-T8	IPD-232-14/MV

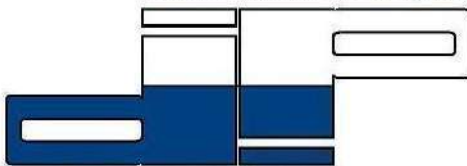
ILLUMINATION PRODUCTS, INC.



ILLUMINATION PRODUCTS, INC.

ILLUMINATION PRODUCTS, INC.

Manufacturers of Fluorescent Lighting Fixtures



LAY-IN TYPE PARABOLIC TROFFER

PBC-SERIES 2 FT. X 2 FT. (9 CELL LOUVER)



APPLICATION: Parabolic style lay-in recessed troffers have revolutionized the general office workplace. They afford an elegant décor while at the same time helps to resolve the nuisance of glare from today's modern office VDT screens. Creates an excellent cosmetic look for applications such as offices, banks, hospitals, and general commercial space areas.

CONSTRUCTION: Made from heavy-duty iron phosphate treated CRS (Cold Rolled Steel) and finished with a high-reflectivity electromagnetic-applied powder coat for a minimum reflectance of 90%, thereby, yielding high lumen efficiency. Die formed for extra strength and rigidity.

FEATURES: The parabolic contour design reduces high angle brightness thereby avoiding reflected glare on desk VDT units. This allows for an optically comfortable workplace. Top access plate and several knockouts make electrical wiring an easy task.

ELECTRICAL WIRING: Supplied with a high frequency class "A" sound rating class "P" thermally protected, High Power Factor electronic ballast with total harmonic distortion of less than 10%. This multi-volt ballast will operate T8 lamps from 50/60 Hz input source of 120V through 277V. U.L. approved, CBM certified, meets CSA Standards. Complies with U.S.A. National

Energy efficiency standards. Optional: Dimming Ballast and Backup Power Pack available on special order.

LOUVER: Made from anodized aluminum for optimum strength and corrosion resistance, which can easily be cleaned from dirt and fingerprints with a damp cloth. The individual cells measure 6" x 6" in a parabolic configuration. Designed to fit all types of inverted "T" grid ceiling systems affording an attractive cosmetic look. Standard finish is non-iridescent Semi-Specular Silver.

ORDERING INFORMATION:

<u>LAMPS</u>	<u>LAMP TYPE</u>	<u>PART NUMBER</u>
2 EA.	17W-T8	IPD217-PBC/MV
3 EA.	17W-T8	IPD317-PBC/MV
4 EA.	17W-T8	IPD417-PBC/MV
2 EA.	32W-T8 (U) 6"	IPD232/U/6"-PBC/MV

OPTIONAL WITH ALUMINUM MIRROR FINISH REFLECTOR

<u>LAMPS</u>	<u>LAMP TYPE</u>	<u>PART NUMBER</u>
2 EA.	17W-T8	IPD217-PBC/MV-AMF
4 EA.	17W-T8	IPD417-PBC/MV-AMF
2 EA.	32W-T8 (U) 6"	IPD232-U/6"-PBC/MV-AMF

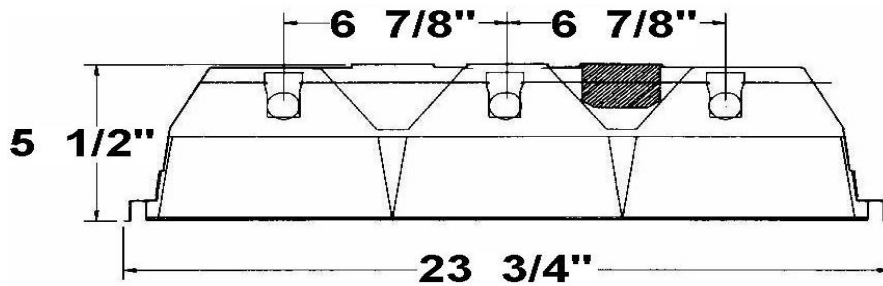
LAY-IN TYPE PARABOLIC

PBC-SERIES

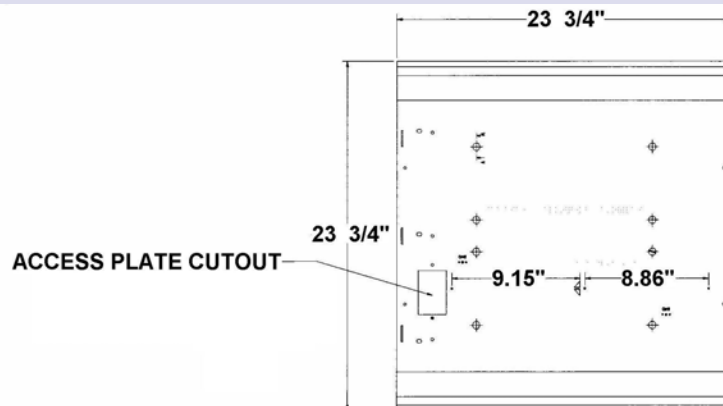
2 FT. X 2 FT.



CROSS-SECTION



BACKPLAN



LAY-IN TYPE PARABOLIC TROFFER

PBC-SERIES 2 FT. X 4 FT. (18 CELL LOUVER)



APPLICATION: Parabolic style lay-in recessed troffers have revolutionized the general office workplace. They afford an elegant décor while at the same time helps to resolve the nuisance of glare from today's modern office VDT screens. Creates an excellent cosmetic look for applications such as offices, banks, hospitals, and general commercial space areas.

CONSTRUCTION: Made from heavy-duty iron phosphate treated CRS (Cold Rolled Steel) and finished with a high-reflectivity electromagnetic-applied powder coat for a minimum reflectance of 90%, thereby, yielding high lumen efficiency. Die formed for extra strength and rigidity.

FEATURES: The parabolic contour design reduces high angle brightness thereby avoiding reflected glare on desk VDT units. This allows for an optically comfortable workplace. Top access plate and several knockouts make electrical wiring an easy task.

ELECTRICAL WIRING: Supplied with a high frequency class "A" sound rating class "P" thermally protected, High Power Factor electronic ballast with total harmonic distortion of less than 10%. This multi-volt ballast will operate T8 lamps from 50/60 Hz input source of 120V through 277V. U.L. approved, CBM certified, meets CSA Standards. Complies with

U.S.A. National Energy efficiency standards. Optional: Dimming Ballast and Backup Power Pack available on special order.

LOUVER: Made from anodized aluminum for optimum strength and corrosion resistance, which can easily be cleaned from dirt and fingerprints with a damp cloth. The individual cells measure 6" x 6" in a parabolic configuration. Designed to fit all types of inverted "T" grid ceiling systems affording an attractive cosmetic look. Standard finish is non-iridescent Semi-Specular Silver.

ORDERING INFORMATION:

<u>LAMPS</u>	<u>LAMP TYPE</u>	<u>PART NUMBER</u>
2 EA.	32W-T8	IPD232-PBC/MV
3 EA.	32W-T8	IPD332-PBC/MV

OPTIONAL WITH ALUMINUM MIRROR FINISH REFLECTOR

<u>LAMPS</u>	<u>LAMP TYPE</u>	<u>PART NUMBER</u>
2 EA.	32W-T8	IPD232-PBC/MV-AMF
4 EA.	32W-T8	IPD432-PBC/MV

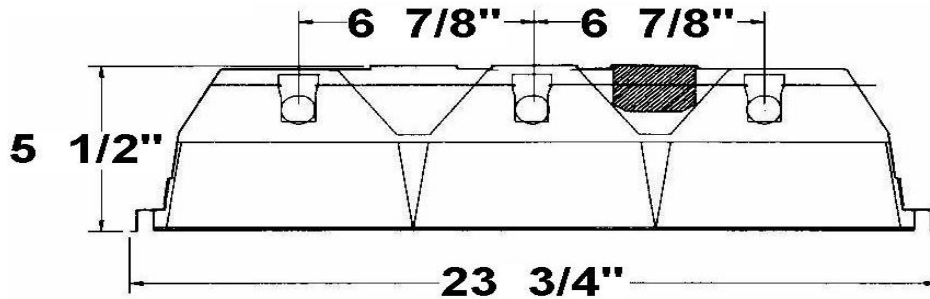
LAY-IN TYPE PARABOLIC

PBC-SERIES

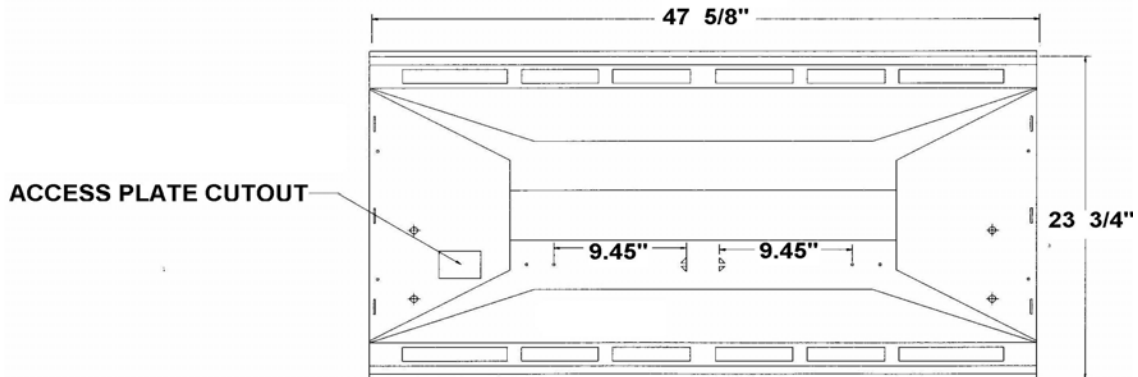
2 FT. X 2 FT.



CROSS-SECTION



BACKPLAN





ILLUMINATION PRODUCTS, INC.

Manufacturers of Fluorescent Lighting Fixtures

WRAP AROUND TWO (2) LAMP

(9 1/8 " WIDE)

IPW-SEIRES

2 FT. , 4 FT. OR 8 FT. LONG



APPLICATION: Wrap-Around series fixtures combine the practical aspect of maximum light output with the decorative features of low surface brightness. It is ideal for schools, offices or in any area where unobstructed lighting is needed.

CONSTRUCTION: Made from heavy-duty iron phosphate treated CRS (Cold Rolled Steel) and finished with a high-reflectivity electromagnetic-applied powder coat for a minimum reflectance of 90%, thereby, yielding high lumen efficiency. Die formed for extra strength and rigidity.

ELECTRICAL WIRING: Supplied with a high frequency class "A" sound rating class "P" thermally protected, High Power Factor electronic ballast with total harmonic distortion of less than 10%. This multi-volt ballast will operate T8 lamps from 50/60 Hz input source of 120V through 277V. U.L. approved, CBM

certified, meets CSA Standards. Complies with U.S.A. National Energy efficiency standards. Optional: Dimming Ballast and Backup Power Pack available on special order.

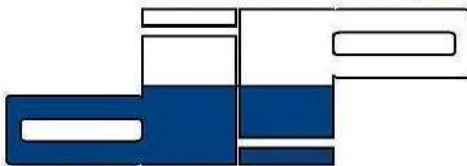
SHIELDING: Acrylic prismatic lens permits high light diffusion and an attractive cosmetic appearance.

ORDERING INFORMATION:

TWO (2) FOOT		
<u>LAMPS</u>	<u>LAMP TYPE</u>	<u>PART NUMBER</u>
2 EA.	17W-T8	IPW-217/MV

FOUR (4) FOOT		
<u>LAMPS</u>	<u>LAMP TYPE</u>	<u>PART NUMBER</u>
2 EA.	32W-T8	IPW-232/MV

EIGHT (8) FOOT		
<u>LAMPS</u>	<u>LAMP TYPE</u>	<u>PART NUMBER</u>
2 EA.	59W-T8	IPW-259/MV
4 EA.	32W-T8	IPW-432-96/MV

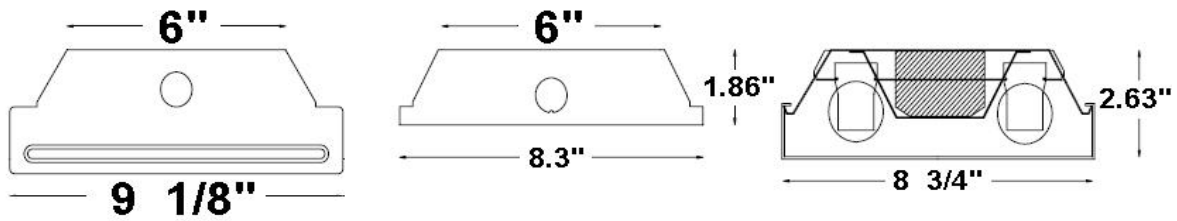


WRAP AROUND TWO (2) LAMP

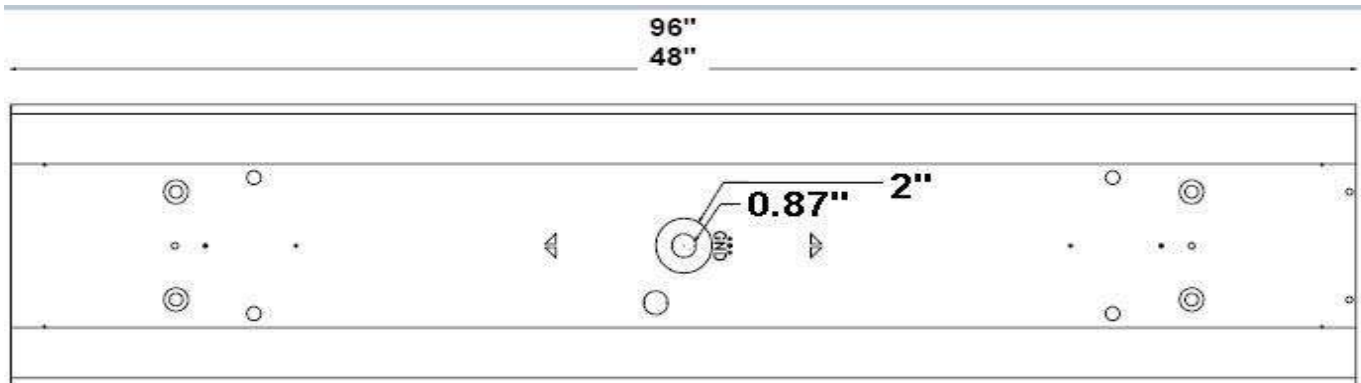
IPW-SERIES



END VIEW & CROSS-SECTION



BACKPLAN





ILLUMINATION PRODUCTS, INC.

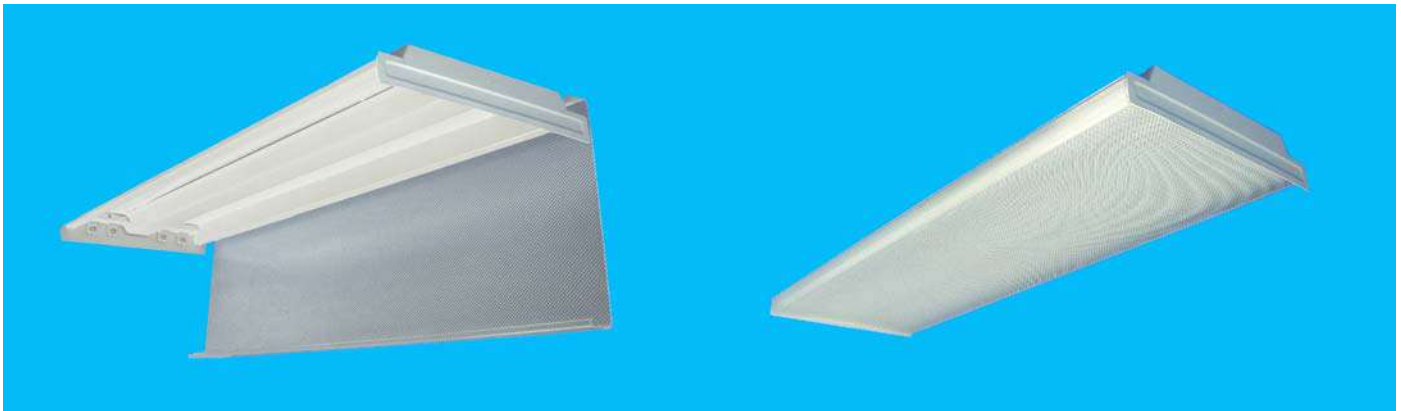
Manufacturers of Fluorescent Lighting Fixtures

WRAP AROUND

(16" WIDE)

IPW-SERIES

4 FT. OR 8 FT. LONG



APPLICATION: Wrap-Around series fixtures combine the practical aspect of maximum light output with the decorative features of low surface brightness. It is ideal for schools, offices or in any area where unobstructed lighting is needed.

CONSTRUCTION: Made from heavy-duty iron phosphate treated CRS (Cold Rolled Steel) and finished with a high-reflectivity electromagnetic-applied powder coat for a minimum reflectance of 90%, thereby, yielding high lumen efficiency. Die formed for extra strength and rigidity.

ELECTRICAL WIRING: Supplied with a high frequency class "A" sound rating class "P" thermally protected, High Power Factor electronic ballast with total harmonic distortion of less than 10%. This multi-volt ballast will operate T8 lamps from 50/60 Hz input source of 120V through 277V. U.L. approved, CBM certified,

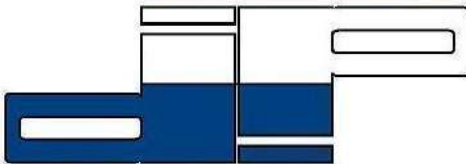
meets CSA Standards. Complies with U.S.A. National Energy efficiency standards. Optional: Dimming Ballast and Backup Power Pack available on special order.

SHIELDING: Acrylic prismatic lens permits high light diffusion and an attractive cosmetic appearance.

ORDERING INFORMATION:

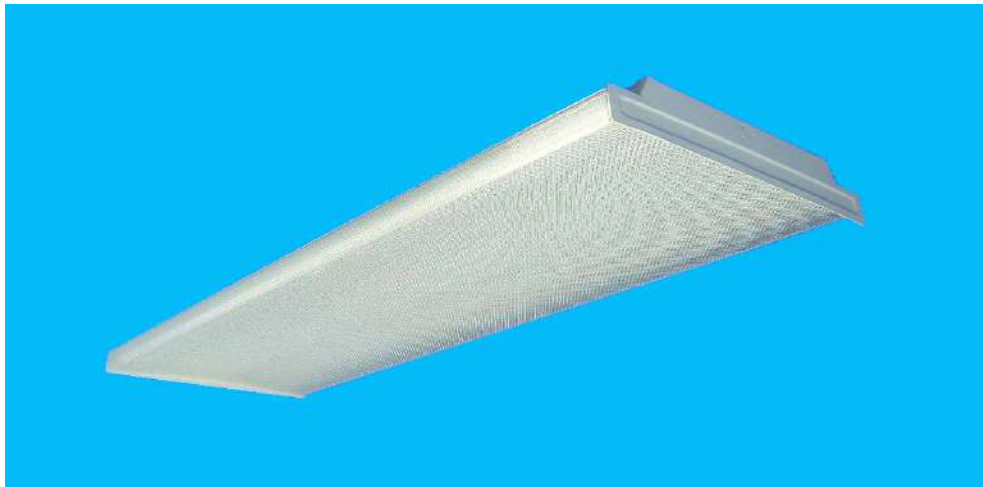
FOUR (4) FOOT		
<u>LAMPS</u>	<u>LAMP TYPE</u>	<u>PART NUMBER</u>
4 EA.	32W-T8	IPW-432/MV

EIGHT (8) FOOT		
<u>LAMPS</u>	<u>LAMP TYPE</u>	<u>PART NUMBER</u>
4 EA.	59W-T8	IPW-459/MV
8 EA.	32W-T8	IPW-832-96/MV

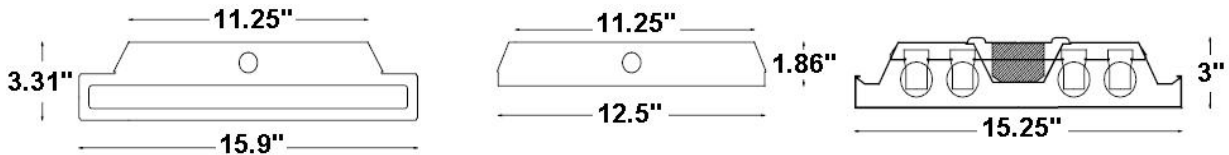


WRAP AROUND (16" WIDE)

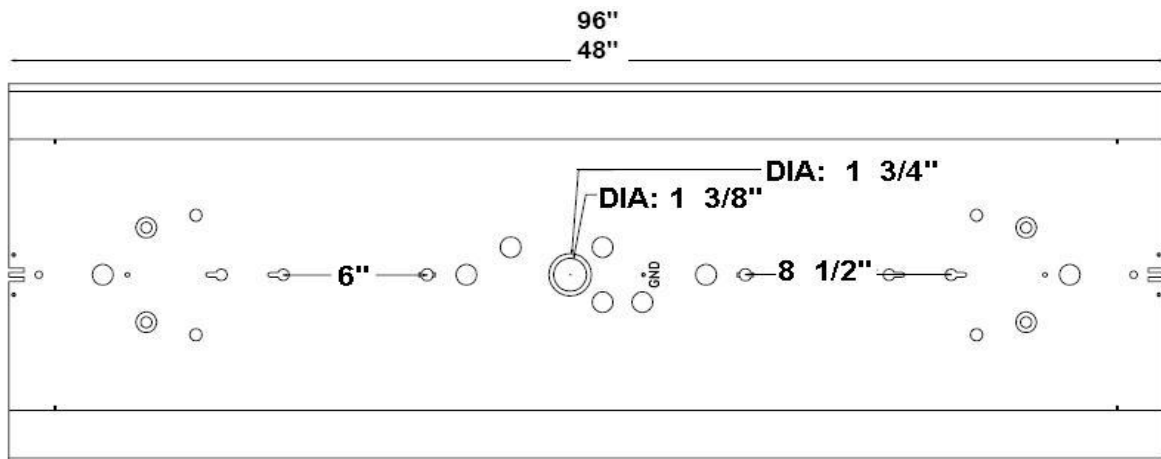
IPW-SERIES 4 FT. OR 8 FT. LONG

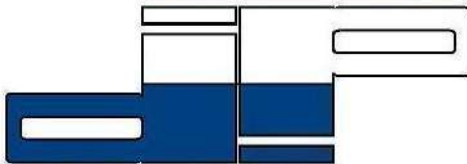


END VIEW & CROSS-SECTION



BACKPLAN



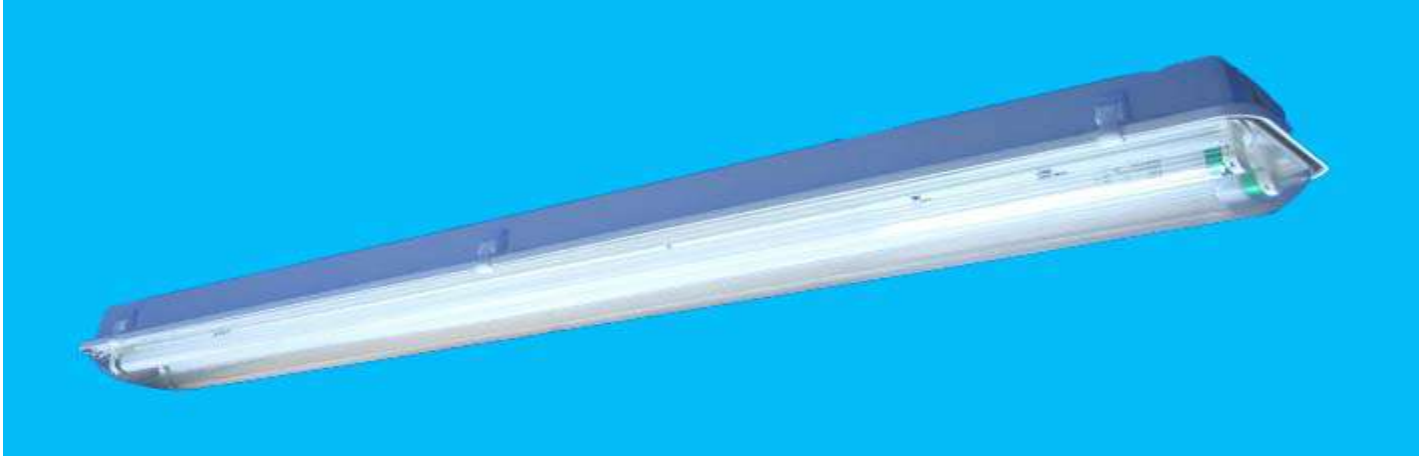


GASKETED ENCLOSURE

(FOR WET AND DAMP LOCATIONS)

IPGE-SERIES

2 FT., 4 FT. OR 8 FT. LENGTH



APPLICATION: Gasketed Enclosure lamp fixtures are particularly designed for food processing facilities, kitchens, parking garages, car washes, schools, government facilities, industrial facilities, public areas, gas stations, subways, road toll plazas and refrigeration units. Also, made to order for sub-zero applications.

CONSTRUCTION: Composed of a structurally rigid fiberglass body of reinforced polyester, which is self-extinguishing (ASTM D635-74). This type of construction does not allow the body to flex during handling and installation. A permanently poured in place gasket affords a hermetically positive seal. This allows for the diffuser to be securely positioned against the body, thereby keeping out moisture, dirt, insects, etc.

ELECTRICAL WIRING: Supplied with a high frequency class "A" sound rating class "P" thermally protected, High Power Factor electronic ballast with total harmonic distortion of less than 10%. This multi-volt ballast will operate T8 lamps from 50/60 Hz input source of 120V through 277V. U.L. approved, CBM certified, meets CSA Standards. Complies with U.S.A. National Energy efficiency standards. Optional: Dimming Ballast, Backup Power Pack and High Output (HO) available on special order.

SHIELDING: Impact resistant lens with linear prism ribs, controls lamp image and improves light distribution along with better light output. Its newly developed lens geometry makes corners less prone to damage.

ORDERING INFORMATION:

TWO (2) FOOT		
<u>LAMPS</u>	<u>LAMP TYPE</u>	<u>PART NUMBER</u>
2 EA.	17W-T8	IPGE-217/MV

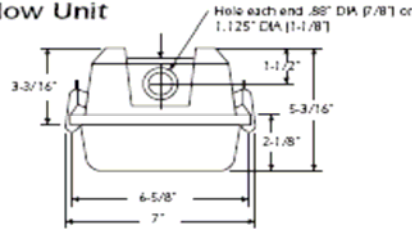
FOUR (4) FOOT		
<u>LAMPS</u>	<u>LAMP TYPE</u>	<u>PART NUMBER</u>
1 EA.	32W-T8	IPGE-132/MV
2 EA.	32W-T8	IPGE-232/MV
3 EA.	32W-T8	IPGE-332/MV
2 EA.	44W-T8	IPGE-244/MV-HO

EIGHT (8) FOOT		
<u>LAMPS</u>	<u>LAMP TYPE</u>	<u>PART NUMBER</u>
1 EA.	59W-T8	IPGE-159/MV
2 EA.	59W-T8	IPGE-259/MV
4 EA.	32W-T8	IPGE-432-96/MV
2 EA.	86W-T8	IPGE-286/MV-HO

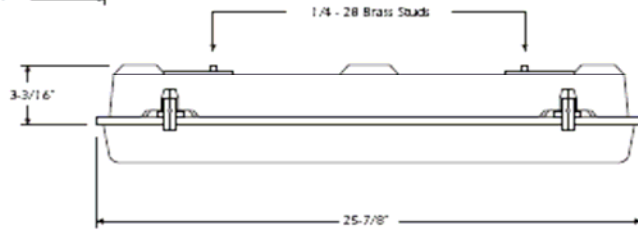
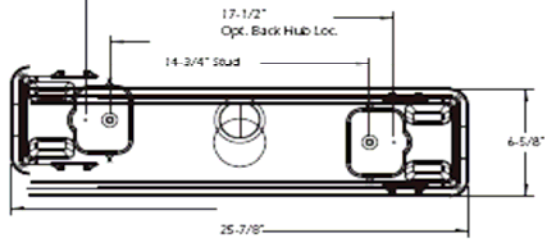


2 Foot Enclosure

Shallow Unit

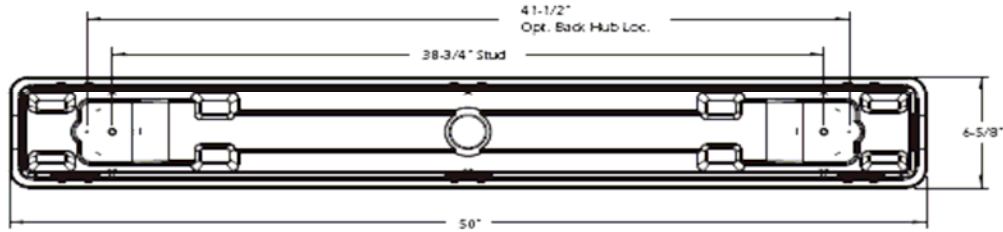


External Top View

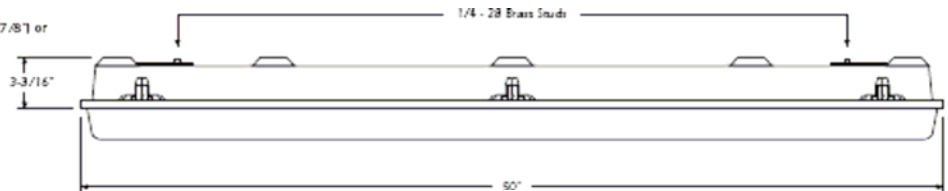
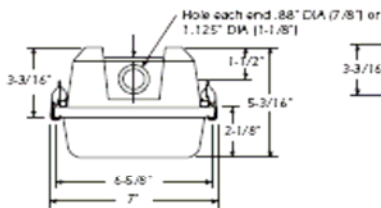


4 Foot Enclosure

External Top View

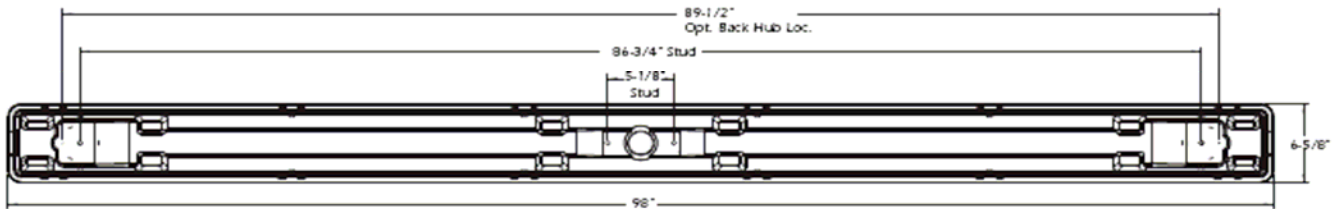


Shallow Unit

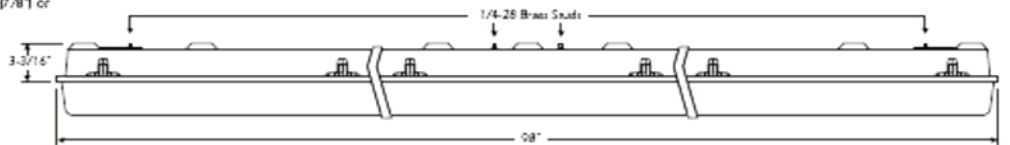
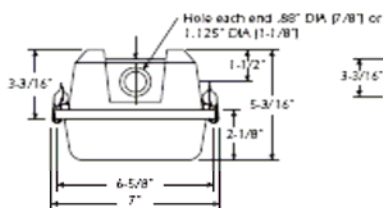


8 Foot Enclosure

External Top View



Shallow Unit

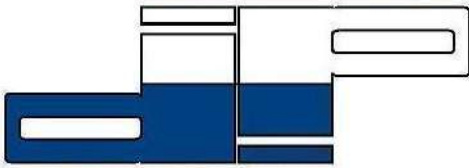


GASKETED ENCLOSURE

FEATURES AND BENEFITS

	<p>FEATURE: One piece construction</p> <p>BENEFIT: No seams to crack, break or leak</p>		<p>FEATURE: Continuous poured gasket</p> <p>BENEFIT: No start or end point to separate Seal cannot shift Locks diffuser securely in place Completely fills channel for maximum seal integrity</p>
	<p>FEATURE: Fiberglass body</p> <p>BENEFIT: Virtually unbreakable with superior corrosion resistance</p>		<p>FEATURE: Continuous formed perimeter on diffuser</p> <p>BENEFIT: Maintains true and parallel sides Provides for positive seal</p>
	<p>FEATURE: Internal brass studs</p> <p>BENEFIT: Accepts most strip lighting fixtures No holes are required for mounting, protecting the integrity of the housing</p>		<p>FEATURE: Suitcase style standard latch</p> <p>BENEFIT: Secures positive seal between housing, gasket and diffuser</p>
	<p>FEATURE: Integral Molded Latch retention pockets</p> <p>BENEFIT: Securely locks in latches</p>		<p>FEATURE: White polyethylene molded end plugs</p> <p>BENEFIT: Snaps and locks tight to maintain tight seal of unused end holes</p>
	<p>FEATURE: High impact acrylic / DR material diffuser composition Widest range of materials in industry</p> <p>BENEFIT: Provides clarity and long life with impact protection</p>		<p>FEATURE: External brass studs and optional stainless steel bracket</p> <p>BENEFIT: For chain or flush mounting indoors and out corrosion resistant</p>

ILLUMINATION PRODUCTS, INC.



ILLUMINATION PRODUCTS, INC.

ILLUMINATION PRODUCTS, INC.

Manufacturers of Fluorescent Lighting Fixtures

SINGLE LAMP STRIP

IPS-SERIES



APPLICATION: This single lamp strip channel is an economical choice for general lighting needs where space and limited-mounting areas may be an issue. Strips may be used singularly or in continuous rows and can be surface-mounted or suspended by chains or rod hangers

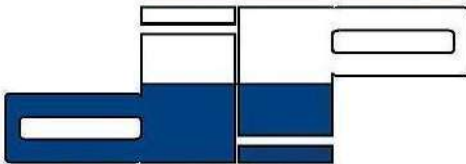
CONSTRUCTION: Made from heavy-duty iron phosphate treated CRS (Cold Rolled Steel) and finished with a high-reflectivity electromagnetic-applied powder coat for a minimum reflectance of 90%, thereby, yielding high lumen efficiency. Die formed for extra strength and rigidity.

ELECTRICAL WIRING: Supplied with a high frequency class “A” sound rating class “P” thermally protected, High Power Factor electronic ballast with total harmonic distortion of less than 10%. Will operate T8 lamps from 50/60 Hz input source of 120V through 277V. U.L. approved,

CBM certified, meets CSA Standards. Complies with U.S.A. National Energy efficiency standards.

ORDERING INFORMATION:

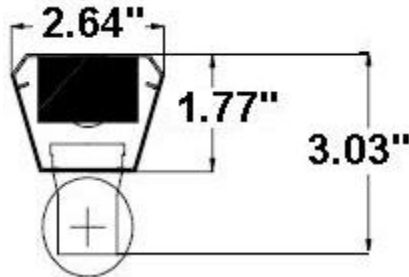
<u>LAMPS</u>	<u>LAMP TYPE</u>	<u>PART NUMBER</u>
1 EA.	17W-T8	IPS -117/MV
1 EA.	25W-T8	IPS-125/MV
1 EA.	32W-T8	IPS -132/MV



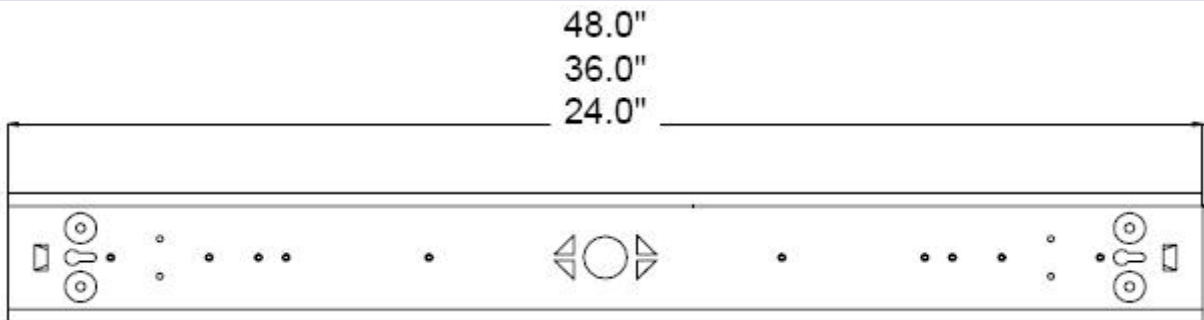
SINGLE LAMP STRIP IPS SERIES



CROSS-SECTION



BACKPLAN



TWO LAMP STRIP

IPS-SERIES

(4 FT.)



APPLICATION: This very popular two (2) lamp strip channel is ideally used for applications such as showcases, store windows, valance or cove lighting, workshops, etc. They may be surface-mounted or suspended by chains or rod hangers.

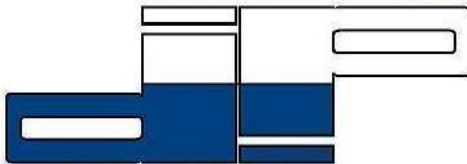
CONSTRUCTION: Made from heavy-duty iron phosphate treated CRS (Cold Rolled Steel) and finished with a high-reflectivity electromagnetic-applied powder coat for a minimum reflectance of 90%, thereby, yielding high lumen efficiency. Die formed for extra strength and rigidity.

ELECTRICAL WIRING: Supplied with a high frequency class "A" sound rating class "P" thermally protected, High Power Factor electronic

ballast with total harmonic distortion of less than 10%. Will operate T8 lamps from 50/60 Hz input source of 120V through 277V. U.L. approved, CBM certified, meets CSA Standards. Complies with U.S.A. National Energy efficiency standards.

ORDERING INFORMATION:

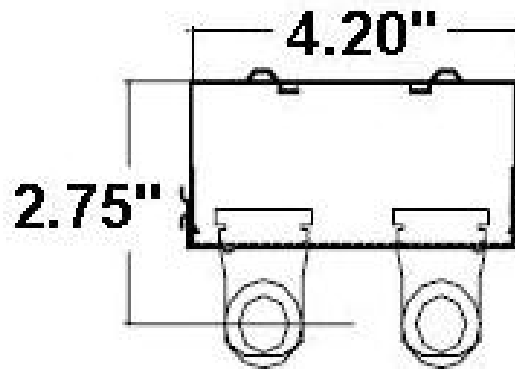
<u>LAMPS</u>	<u>LAMP TYPE</u>	<u>PART NUMBER</u>
2 EA.	17W-T8	IPS-217/MV
2 EA.	25W-T8	IPS-225/MV
2 EA.	32W-T8	IPS-232/MV



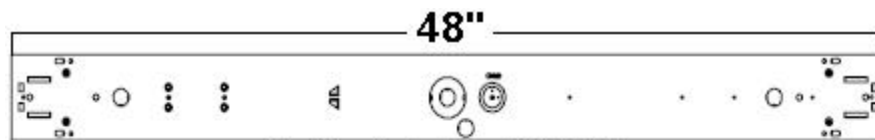
TWO LAMP STRIP

IPS-SERIES 4 FT.

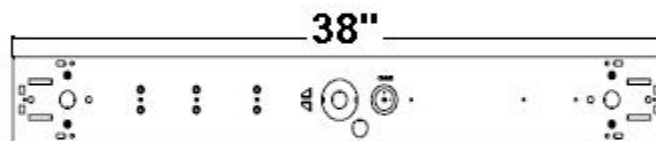
CROSS-SECTION



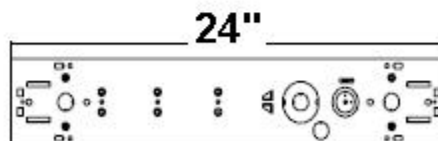
BACKPLAN



SES 4 FT. BODY



SES 3 FT. BODY



SES 2 FT. BODY



ILLUMINATION PRODUCTS, INC.

Manufacturers of Fluorescent Lighting Fixtures

FOUR LAMP STRIP

IPS-SERIES

(4 FT.)



APPLICATION: This four (4)-lamp strip will deliver the extra light lumens. Very versatile and popular in applications such as: stores, warehouses, hallways, garages, etc. They may be surface-mounted or suspended by chains or rod hangers.

CONSTRUCTION: Made from heavy-duty iron phosphate treated CRS (Cold Rolled Steel) and finished with a high-reflectivity electromagnetic-applied powder coat for a minimum reflectance of 90%, thereby, yielding high lumen efficiency. Die formed for extra strength and rigidity.

ELECTRICAL WIRING: Supplied with a high frequency class "A" sound rating class "P" thermally protected, High Power Factor electronic ballast with total harmonic distortion of less than 10%. Will operate T8 lamps from 50/60 Hz input source of 120V through 277V. U.L. approved,

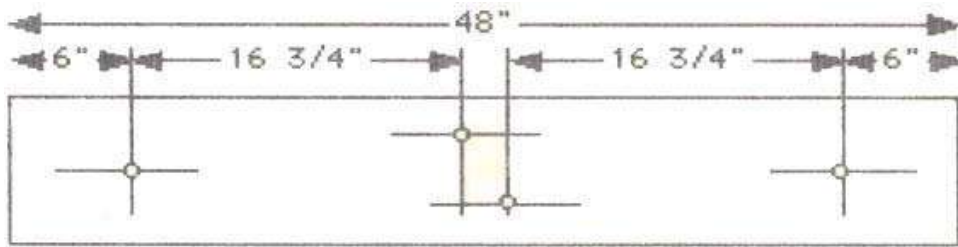
CBM certified, meets CSA Standards. Complies with U.S.A. National Energy efficiency standards.

ORDERING INFORMATION:

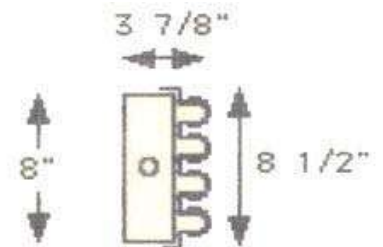
<u>LAMPS</u>	<u>LAMP TYPE</u>	<u>PART NUMBER</u>
4 EA.	32W-T8	IPS-432/MV

FOUR LAMP STRIP

IPS-SERIES



TOP VIEW



CROSS SECTION



ILLUMINATION PRODUCTS, INC.

Manufacturers of Fluorescent Lighting Fixtures

SINGLE LAMP STRIP

IPS-SERIES

(8 FT.)



APPLICATION: This single lamp strip is ideal for general lighting needs and is great for valance or cove type applications. They may be surface-mounted or suspended by chains or rod hangers.

CONSTRUCTION: Made from heavy-duty iron phosphate treated CRS (Cold Rolled Steel) and finished with a high-reflectivity electromagnetic-applied powder coat for a minimum reflectance of 90%, thereby, yielding high lumen efficiency. Die formed for extra strength and rigidity.

ELECTRICAL WIRING: Supplied with a high frequency class “A” sound rating class “P” thermally protected, High Power Factor electronic ballast with total harmonic distortion of less than 10%. Will operate T8 lamps from 50/60 Hz input source of 120V through 277V. U.L. approved,

CBM certified, meets CSA Standards. Complies with U.S.A. National Energy efficiency standards.

ORDERING INFORMATION:

<u>LAMPS</u>	<u>LAMP TYPE</u>	<u>PART NUMBER</u>
1 EA.	59W-T8	IPS -159/MV

OPTIONAL

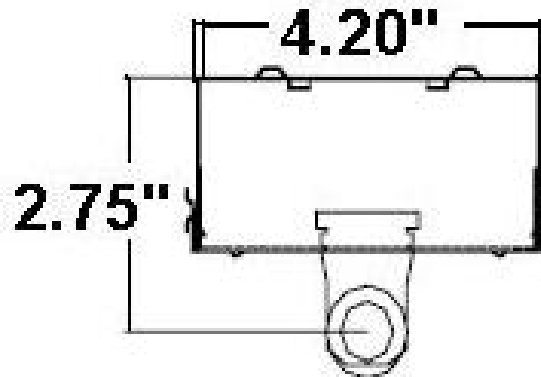
<u>LAMPS</u>	<u>LAMP TYPE</u>	<u>PART NUMBER</u>
2 EA.	32W-T8 (TANDEM)	IPS-232-96/MV

SINGLE LAMP STRIP

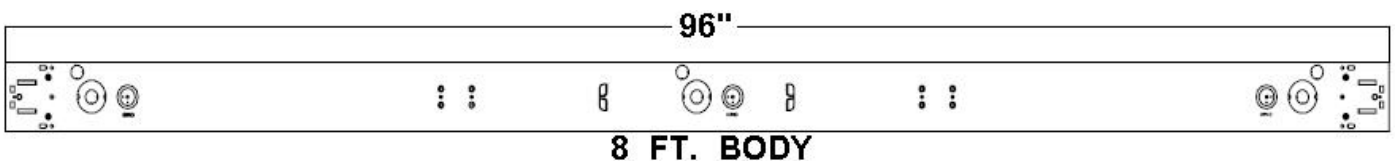
IPS-SERIES (8 FT.)



CROSS-SECTION



BACKPLAN





ILLUMINATION PRODUCTS, INC.

Manufacturers of Fluorescent Lighting Fixtures

TWO LAMP STRIP

IPS-SERIES

(8 FT.)



APPLICATION: This two (2)-lamp strip channel is popular when a little extra lighting is required for such applications as hallways, garages, warehouses, workshops, etc. They may be surface-mounted or suspended by chains or rod hangers.

CONSTRUCTION: Made from heavy-duty iron phosphate treated CRS (Cold Rolled Steel) and finished with a high-reflectivity electromagnetic-applied powder coat for a minimum reflectance of 90%, thereby, yielding high lumen efficiency. Die formed for extra strength and rigidity.

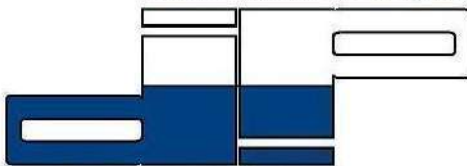
ELECTRICAL WIRING: Supplied with a high frequency class “A” sound rating class “P” thermally protected, High Power Factor electronic ballast with total harmonic distortion of less than 10%. Will operate T8 lamps from 50/60 Hz input source of 120V through 277V. U.L. approved, CBM certified, meets CSA Standards. Complies with U.S.A. National Energy efficiency standards.

ORDERING INFORMATION:

<u>LAMPS</u>	<u>LAMP TYPE</u>	<u>PART NUMBER</u>
2 EA.	59W-T8	IPS -259/MV

OPTIONAL

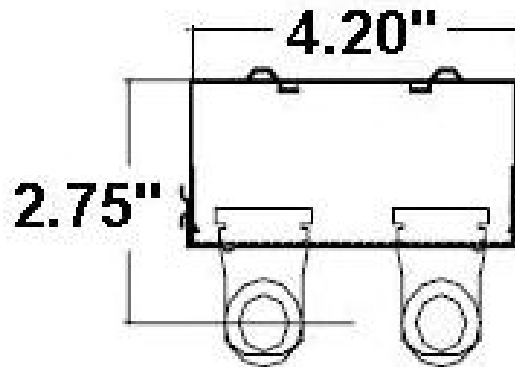
<u>LAMPS</u>	<u>LAMP TYPE</u>	<u>PART NUMBER</u>
4 EA.	32W-T8 (TANDEM)	IPS-432-96/MV



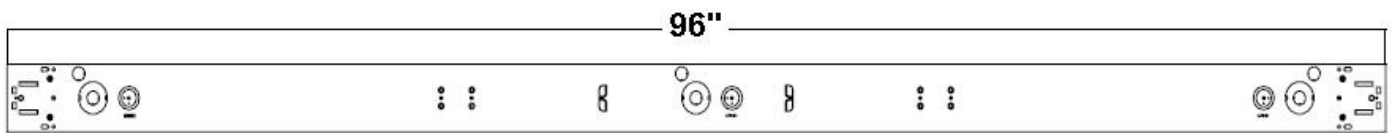
TWO LAMP STRIP IPS-SERIES (8 FT)



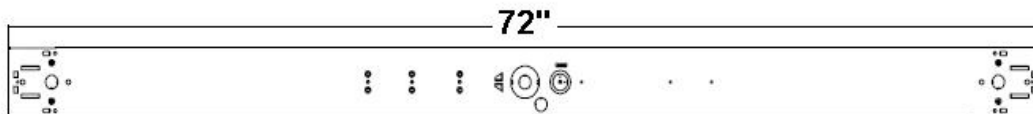
CROSS-SECTION



BACKPLAN



SES 8 FT. BODY



SES 6 FT. BODY



ILLUMINATION PRODUCTS, INC.

Manufacturers of Fluorescent Lighting Fixtures

TWO LAMP INDUSTRIAL

IPI-SERIES

(4 FT.)



APPLICATION: Industrial lamp fixtures can be used singularly or in continuous rows, and are ideally suited for industrial applications where reflected light is needed such as machine shops, manufacturing plants, warehouses, etc. They may be surface-mounted or suspended by chains or rod hangers.

CONSTRUCTION: Made from heavy-duty iron phosphate treated CRS (Cold Rolled Steel) and finished with a high-reflectivity electromagnetic-applied powder coat for a minimum reflectance of 90%, thereby, yielding high lumen efficiency. Die formed for extra strength and rigidity.

ELECTRICAL WIRING: Supplied with a high frequency class "A" sound rating class "P" thermally protected, High Power Factor electronic ballast with total harmonic distortion of less than

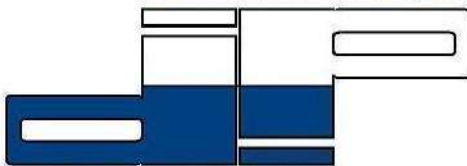
10%. Will operate T8 lamps from 50/60 Hz input source of 120V through 277V. U.L. approved, CBM certified, meets CSA Standards. Complies with U.S.A. National Energy efficiency standards.

ORDERING INFORMATION:

<u>LAMPS</u>	<u>LAMP TYPE</u>	<u>PART NUMBER</u>
2 EA.	32W-T8	IPI-232/MV

OPTIONAL

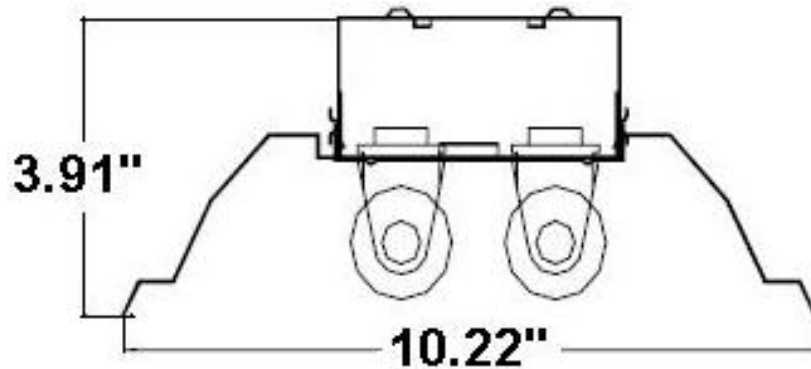
<u>LAMPS</u>	<u>LAMP TYPE</u>	<u>PART NUMBER</u>
1 EA.	32W-T8	IPI-132/MV



TWO LAMP INDUSTRIAL IPI-SERIES 4 FT.



CROSS-SECTION



BACKPLAN



SES 4 FT. BODY



ILLUMINATION PRODUCTS, INC.

Manufacturers of Fluorescent Lighting Fixtures

TWO LAMP INDUSTRIAL

IPD-SERIES

(8 FT.)



APPLICATION: Industrial lamp fixtures can be used singularly or in continuous rows, and are ideally suited for industrial applications where reflected light is needed such as machine shops, manufacturing plants, warehouses, etc. They may be surface-mounted or suspended by chains or rod hangers. Reflector is furnished in 4 FT. segments.

CONSTRUCTION: Made from heavy-duty iron phosphate treated CRS (Cold Rolled Steel) and finished with a high-reflectivity electromagnetic-applied powder coat for a minimum reflectance of 90%, thereby, yielding high lumen efficiency. Die formed for extra strength and rigidity.

ELECTRICAL WIRING: Supplied with a high frequency class "A" sound rating class "P" thermally protected, High Power Factor electronic ballast with total harmonic distortion of less than 10%. Will operate T8 lamps from 50/60 Hz input source of 120V through 277V. U.L. approved,

CBM certified, meets CSA Standards. Complies with U.S.A. National Energy efficiency standards.

ORDERING INFORMATION:

<u>LAMPS</u>	<u>LAMP TYPE</u>	<u>PART NUMBER</u>
1 EA.	59W-T8	IPI-159/MV
2 EA.	59W-T8	IPI-259/MV

OPTIONAL

<u>LAMPS</u>	<u>LAMP TYPE</u>	<u>PART NUMBER</u>
2 EA.	32W-T8 (TANDEM)	IPI-232-96/MV
4 EA.	32W-T8 (TANDEM)	IPI-432-96/MV



ILLUMINATION PRODUCTS, INC.

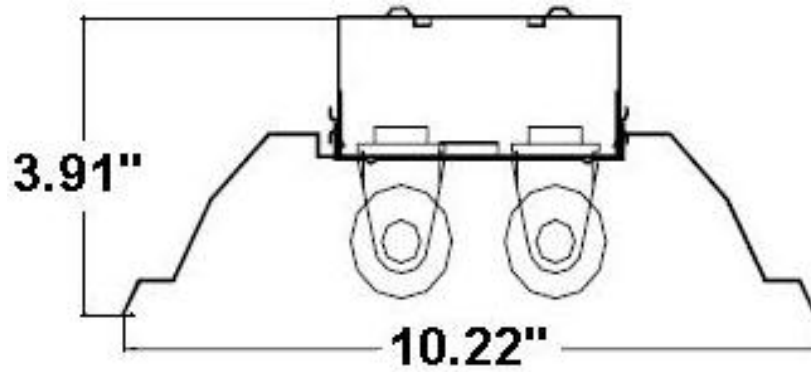
Manufacturers of Fluorescent Lighting Fixtures

TWO LAMP INDUSTRIAL

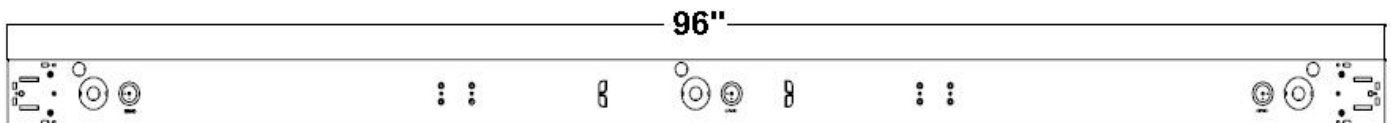
IPI-SERIES 8 FT.



CROSS-SECTION



BACKPLAN



RECESSED ROW LAY-IN FIXTURE

IPIR-SERIES (4FT. OR 8 FT.)



APPLICATION: Ideally used where linear illumination in row formation is needed, such as: supermarkets, and department stores.

CONSTRUCTION: Made from heavy-duty iron phosphate treated CRS (Cold Rolled Steel) and finished with a high-reflectivity electromagnetic-applied powder coat for a minimum reflectance of 90%, thereby, yielding high lumen efficiency. Die formed for extra strength and rigidity.

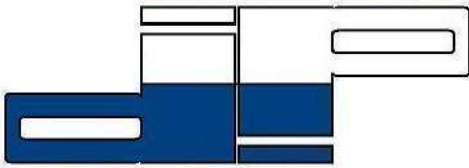
ELECTRICAL WIRING: Supplied with a high frequency class "A" sound rating class "P" thermally protected, High Power Factor electronic ballast with total harmonic distortion of less than 10%. This multi-volt ballast will operate T8 lamps from 50/60 Hz input source of 120V through 277V. U.L. approved, CBM certified, meets CSA Standards. Complies with U.S.A. National Energy efficiency standards. Optional: Dimming

Ballast and Backup Power Pack available on special order.

ORDERING INFORMATION:

<u>LAMPS</u>	<u>LAMP TYPE</u>	<u>PART NUMBER</u>
2 EA.	32W-T8	IPIR-232/MV
2 EA.	59W-T8	IPIR-259/MV

ILLUMINATION PRODUCTS, INC.

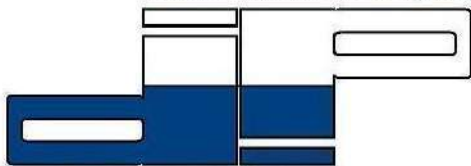


ILLUMINATION PRODUCTS, INC.

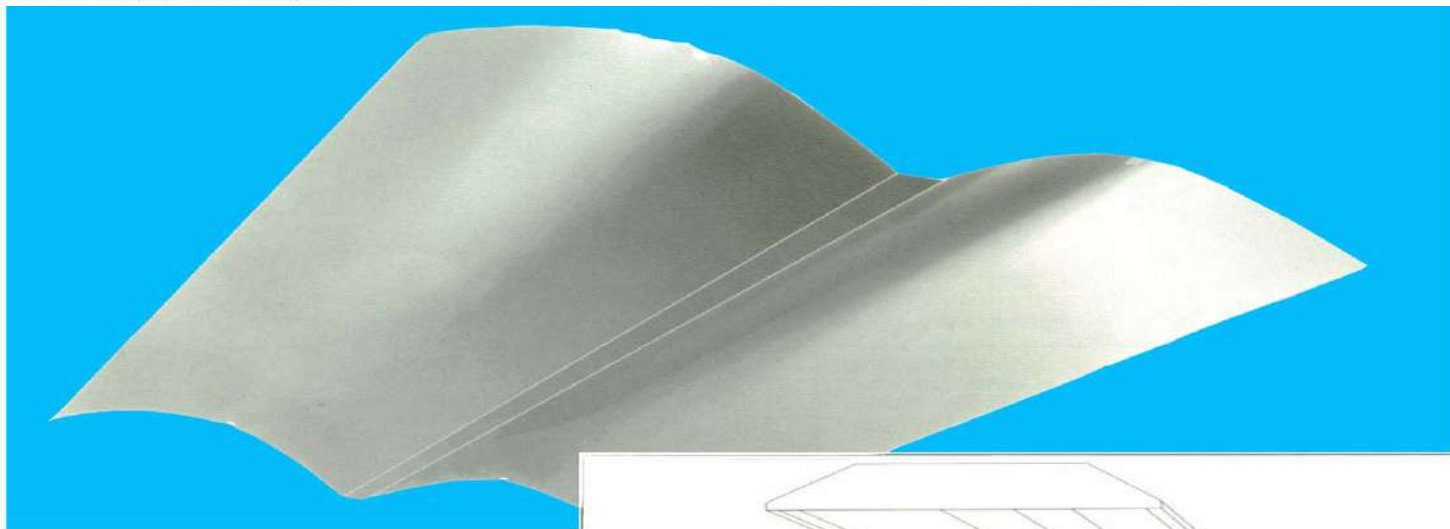
ILLUMINATION PRODUCTS, INC.

Manufacturers of Fluorescent Lighting Fixtures

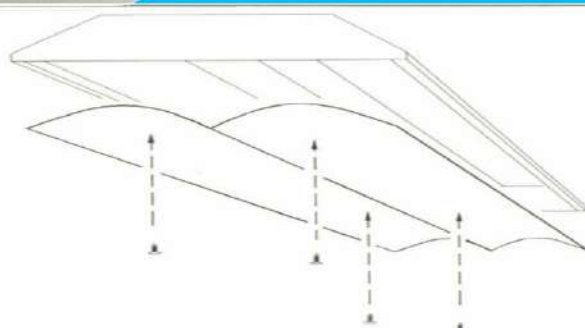
Manufacturers of Fluorescent Lighting Fixtures



ILLUMINATION PRODUCTS, INC.



ALUMINUM MIRROR FINISH REFLECTOR (AMF)



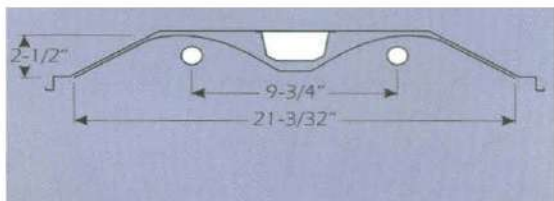
ZONAL CAVITY COEFFICIENTS OF UTILIZATION

EFFECTIVE FLOOR CAVITY REFLECTANCE = .20

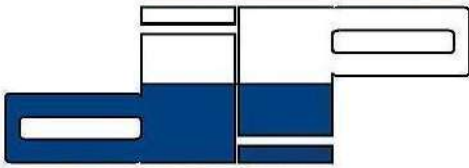
Ceiling	.80				.70				.50				.30				.10		.00	
Wall RCR	.70	.50	.30	.10	.70	.50	.30	.10	.50	.30	.10	.50	.30	.10	.50	.30	.10	.00		
0	1.01	1.01	1.01	1.01	.98	.98	.98	.98	.94	.94	.94	.90	.90	.90	.86	.86	.86	.85		
1	.94	.90	.87	.84	.91	.88	.85	.83	.85	.82	.80	.81	.80	.78	.79	.77	.76	.74		
2	.86	.80	.75	.71	.84	.79	.74	.70	.76	.72	.68	.73	.70	.67	.71	.68	.66	.64		
3	.80	.72	.66	.61	.78	.70	.65	.60	.68	.63	.59	.66	.62	.58	.64	.60	.57	.56		
4	.73	.64	.58	.52	.72	.63	.57	.52	.61	.56	.51	.59	.55	.51	.58	.53	.50	.48		
5	.67	.57	.50	.45	.66	.56	.50	.45	.55	.49	.45	.53	.48	.44	.52	.47	.44	.42		
6	.62	.52	.45	.40	.61	.51	.44	.40	.50	.44	.39	.48	.43	.39	.47	.42	.39	.37		
7	.58	.47	.40	.35	.56	.46	.40	.35	.45	.39	.35	.44	.38	.35	.43	.38	.34	.33		
8	.53	.42	.36	.31	.52	.42	.35	.31	.41	.35	.31	.40	.34	.30	.39	.34	.30	.29		
9	.49	.38	.32	.27	.48	.38	.31	.27	.37	.31	.27	.36	.30	.27	.35	.30	.26	.25		
10	.46	.35	.28	.24	.45	.34	.28	.24	.34	.28	.24	.33	.27	.24	.32	.27	.24	.22		

RAY TRACINGS

RAY TRACINGS ARE DIRECTIONAL PATTERNS PRODUCED BY THE LUMEN OUTPUT OF THE LAMPS STRIKING AND LEAVING THE REFLECTOR SURFACE.



ILLUMINATION PRODUCTS, INC.



ILLUMINATION PRODUCTS, INC.

ILLUMINATION PRODUCTS, INC.

Manufacturers of Fluorescent Lighting Fixtures